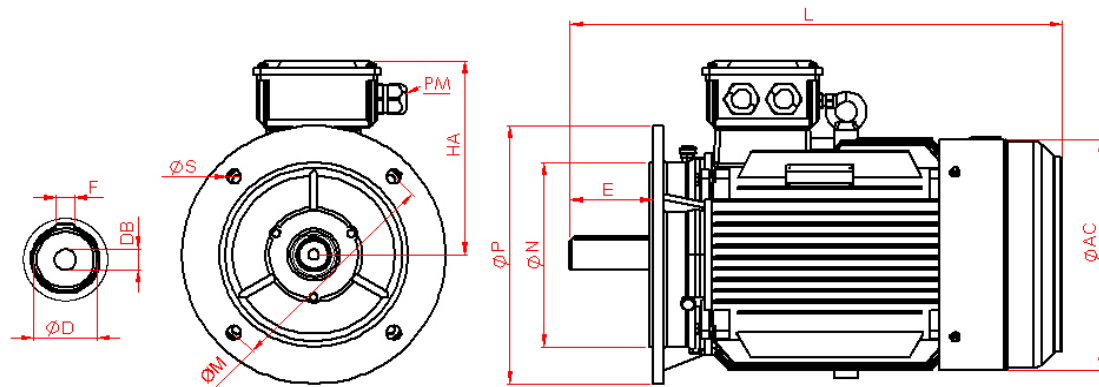


IEC 34-30

Maßblatt Drehstrommotor / dimensions three phase motor IM B3 [mm]

| Typ | A | AB | AC | B | BB | C | PM | ØD | DB | E | F | H | HD | K | L |
|------------|-----|-----|-----|-----|-----|-----|-----------|----|-----|-----|----|-----|-----|------|-----|
| SEV-180L-4 | 279 | 355 | 380 | 279 | 355 | 121 | 2-M40x1.5 | 48 | M16 | 110 | 14 | 180 | 455 | 14,5 | 740 |

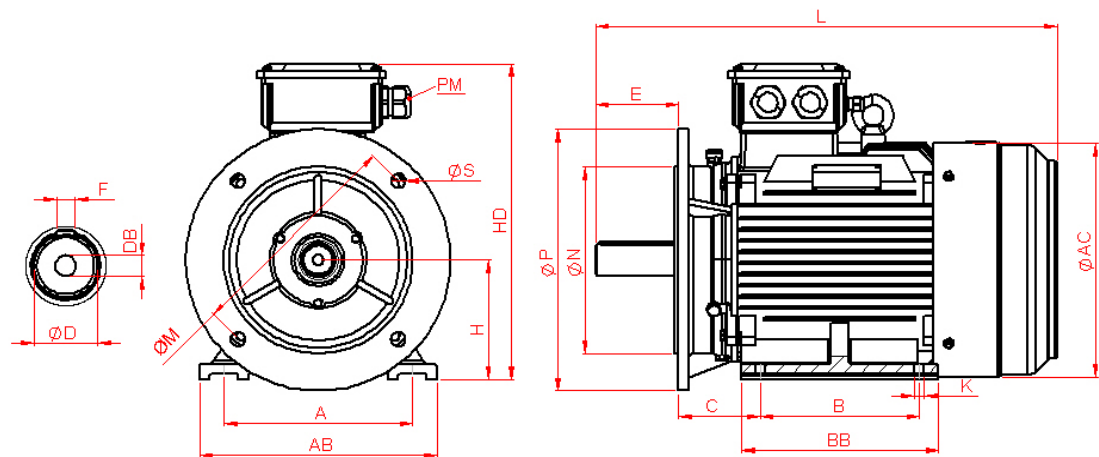


IE3

IEC 34-30

Maßblatt Drehstrommotor / dimensions three phase motor IM B5 [mm]

| Typ | AC | ØD | DB | E | F | HA | PM | L | ØP | ØN | ØM | ØS |
|------------|-----|----|-----|-----|----|-----|-----------|-----|-----|-----|-----|----|
| SEV-180L-4 | 380 | 48 | M16 | 110 | 14 | 275 | 2-M40x1.5 | 740 | 350 | 250 | 300 | 19 |



IE3

IEC 34-30

Maßblatt Drehstrommotor / dimensions three phase motor IM B35 [mm]

| Typ | A | AB | AC | B | BB | C | PM | ØD | DB | E | F | H | HD | K | L |
|------------|-----|-----|-----|-----|-----|-----|-----------|----|-----|-----|-----|-----|-----|------|-----|
| SEV-180L-4 | 279 | 355 | 380 | 279 | 355 | 121 | 2-M40x1.5 | 48 | M16 | 110 | 14 | 180 | 455 | 14,5 | 740 |
| | | | | | | | | | | | ØP | ØN | ØM | ØS | |
| | | | | | | | | | | | 350 | 250 | 300 | 19 | |

technische Daten / technical data

| Typ / type | SEV-180L-4 | | | | |
|---|--------------------------|--|---|---------------------|-----------------------------------|
| Leistung / power | [kW] | 22 | Anzugs- zu Nennstrom / starting current | [Ia/In] | 7,7 |
| Drehzahl / speed | [upm] | 1470 | Kipp- zu Nennmoment / pull-out torque | [MK/Mn] | 2,3 |
| Anzahl der Pole/ number of poles | | 4 | Anzugs- zu Nennmoment / starting torque | [Ma/Mn] | 2,0 |
| Nennstrom / rated current (400V) | [A] | 40,28 | Trägheitsmoment / moment of inertia | [Kgm ²] | 0,1605 |
| Leistungsfaktor / power factor | [cos φ] | 0,86 | Lager / bearing | [DE] [NDE] | 6311 6211 |
| Wirkungsgrad / efficiency | [100%] [75%] [50%] | 93 93,3 92,7 | max. Radialbelastung / max. radial force | [N] | 3310 |
| Schutzart / degree of protection | [IP] | IP55 | Schallleistungspegel / noise level | [dB] | 76 |
| Drehmoment / torque | [Nm] | 142,9 | Umgebungstemperatur / ambient temperature | [°C] | -15°C/+40°C |
| Betriebsart / type of duty | | S1 | Gewicht / weight | [kg] | B3 = 191 B5 = 195 B35 = 201 |
| Iso.Kl | | F | Aufstellungshöhe / altitude | [m] | ≤1000m |
| max. Temperaturanstieg / temperature rise | [K] | <80K | | | |
| Frequenz / frequency | [Hz] | 50/60 Hz | | | |
| Spannung / voltage | | 400/690 [Δ/Y] 50Hz 460/796 [Δ/Y] 60Hz | | | |
| Motorschutz / motor protection | | 3 x PTC Kaltleiter | | | |
| Herstellungsjahr / production year | | siehe Seriennummer 1. vier Stellen see serial number 1. four digits | | | |