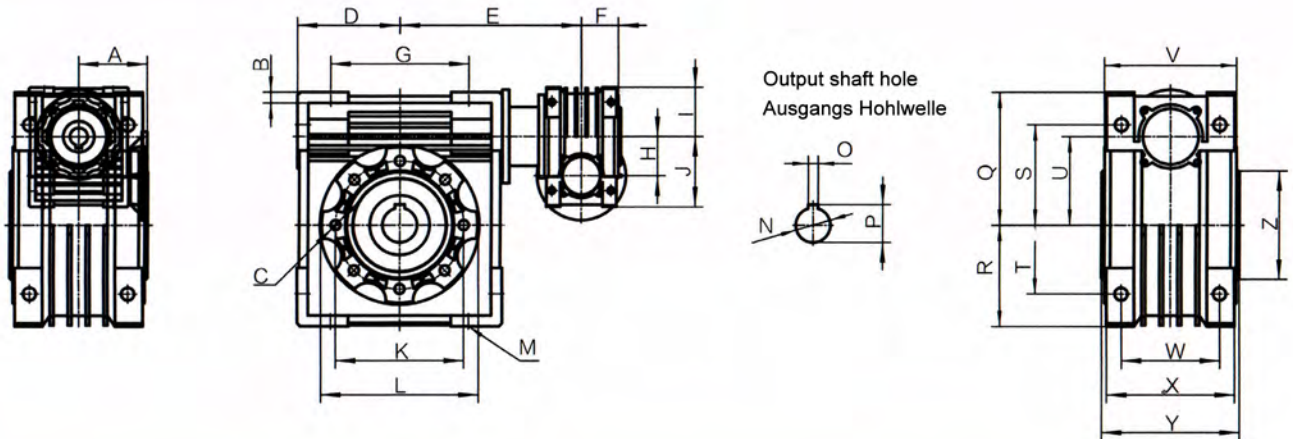


Doppelschneckengetriebe Abmessungen

Double Worm Gear Dimensions



| | 25/30 | 25/40 | 30/40 | 30/50 | 30/63 | 40/75 | 40/90 | 50/110 | 63/130 | 63/150 |
|---|---------|---------|---------|---------|---------|---------|----------|----------|----------|----------|
| A | 45 | 45 | 55 | 55 | 55 | 70 | 70 | 80 | 95 | 95 |
| B | 6 | 6.5 | 6.5 | 7 | 8 | 10 | 11 | 14.5 | 15.5 | 18 |
| C | 4-M6×11 | 4-M6×8 | 4-M6×8 | 4-M8×10 | 8-M8×14 | 8-M8×14 | 8-M10×18 | 8-M10×18 | 8-M12×21 | 8-M12×21 |
| D | 40 | 50 | 50 | 60 | 72 | 86 | 103 | 127.5 | 147.5 | 170 |
| E | 100 | 115 | 120 | 130 | 145 | 163.5 | 182.5 | 227.5 | 245 | 275 |
| F | 22.5 | 22.5 | 29 | 29 | 29 | 36.5 | 36.5 | 43.5 | 53 | 53 |
| G | 54 | 70 | 70 | 80 | 100 | 120 | 140 | 170 | 200 | 240 |
| H | 25 | 25 | 30 | 30 | 30 | 40 | 40 | 50 | 63 | 63 |
| I | 35 | 35 | 40 | 40 | 40 | 50 | 50 | 60 | 72 | 72 |
| J | 48 | 48 | 57 | 57 | 57 | 71.5 | 71.5 | 84 | 102 | 102 |
| K | φ65 | φ75 | φ75 | φ85 | φ95 | φ115 | φ130 | φ165 | φ215 | φ215 |
| L | φ75 | φ87 | φ87 | φ100 | φ110 | φ140 | φ160 | φ200 | φ250 | φ250 |
| M | 14-φ6.5 | 14-φ6.5 | 14-φ6.5 | 14-φ8.5 | 14-φ9 | 14-φ11 | 14-φ13 | 12-φ14 | 12-φ16 | 12-φ18 |
| N | φ14 | φ18 | φ18 | φ25 | φ25 | φ28 | φ35 | φ42 | φ45 | φ50 |
| O | 5 | 6 | 6 | 8 | 8 | 8 | 10 | 12 | 14 | 14 |
| P | 16.3 | 20.8 | 20.8 | 28.3 | 28.3 | 31.3 | 38.3 | 45.3 | 48.8 | 53.8 |
| Q | 57 | 71.5 | 71.5 | 84 | 102 | 119 | 135 | 167.5 | 187.5 | 230 |
| R | 40 | 50 | 50 | 60 | 72 | 86 | 103 | 127.5 | 147.5 | 170 |
| S | 44 | 55 | 55 | 64 | 80 | 93 | 102 | 125 | 140 | 180 |
| T | 27 | 35 | 35 | 40 | 50 | 60 | 70 | 85 | 100 | 120 |
| U | 30 | 40 | 40 | 50 | 63 | 75 | 90 | 110 | 130 | 150 |
| V | 58 | 73 | 73 | 87 | 106 | 114 | 134 | 148 | 162 | 192 |
| W | 44 | 60 | 60 | 70 | 85 | 90 | 100 | 115 | 120 | 145 |
| X | 56 | 71 | 7 | 85 | 103 | 112 | 130 | 144 | 155 | 185 |
| Y | 63 | 78 | 78 | 92 | 112 | 120 | 140 | 155 | 170 | 200 |
| Z | φ55 | φ60 | φ60 | φ70 | φ80 | φ95 | φ110 | φ130 | φ180 | φ180 |