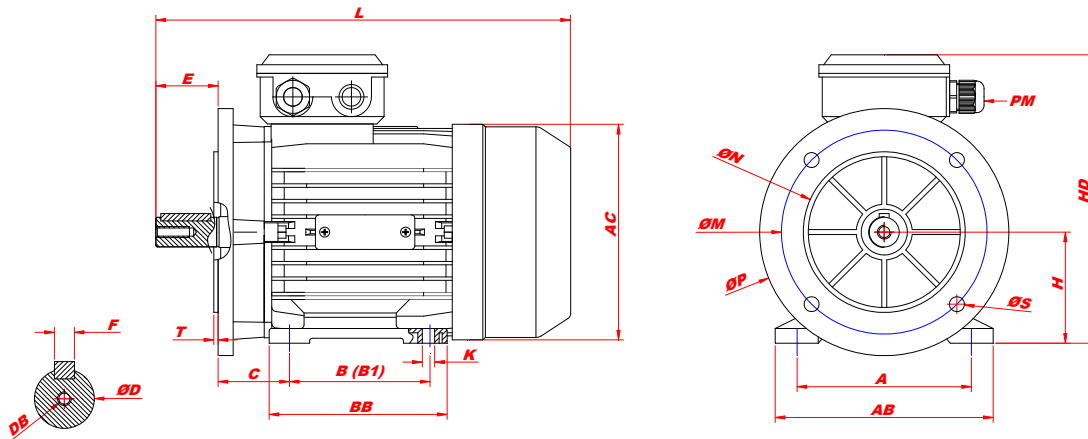


MX71P-2, 0,75 KW, 2 polig, B35



IEC 34-30

Maßblatt Drehstrommotor / dimensions three phase motor IM B35 [mm]

| Typ | A | AB | AC | B | BB | C | PM | ØD | DB | E | F | H | HD | K | L |
|---------|-----|-----|-----|----|-----|----|---------|----|----|----|-----|-----|-----|----|-----|
| MX71P-2 | 112 | 139 | 140 | 90 | 103 | 45 | M20*1.5 | 14 | M5 | 30 | 5 | 71 | 190 | 7 | 260 |
| | | | | | | | | | | | ØP | ØN | ØM | ØS | |
| | | | | | | | | | | | 160 | 110 | 130 | 10 | |

technische Daten / technical data

| Typ / type | MX71P-2 | | | |
|---|--------------------------|---|---|----------------------------|
| Leistung / power | [kW] | 0,75 | Anzugs- zu Nennstrom / starting current | [Ia/I _n] 6,0 |
| Drehzahl / speed | [upm] | 2730 | Kipp- zu Nennmoment / pull-out torque | [MK/M _n] 2,2 |
| Anzahl der Pole/ number of poles | | 2 | Anzugs- zu Nennmoment / starting torque | [Ma/M _n] 2,0 |
| Nennstrom / rated current (400V) | [A] | 1,81 | Trägheitsmoment / moment of inertia | [Kg ²] 0,00056 |
| Leistungsfaktor / power factor | [cos φ] | 0,83 | Lager / bearing | [DE] 6202 [NDE] 6202 |
| Wirkungsgrad / efficiency | [100%] [75%] [50%] | 72,1 0 0 | max. Radialbelastung / max. radial force | [N] 530 |
| Schutzart / degree of protection | [IP] | IP 55 | Schalleistungspegel / noise level | [dB] 67 |
| Drehmoment / torque | [Nm] | 2,6 | Umgebungstemperatur / ambient temperature | [°C] ≤40 |
| Betriebsart / type of duty | | S1 | Gewicht / weight | [kg] 7,34 |
| Iso.Kl | | F | Aufstellungshöhe / altitude | [m] ≤1000 |
| max. Temperaturanstieg / temperature rise | [K] | ≤80 | | |
| Frequenz / frequency | [Hz] | 50/60 | | |
| Spannung / voltage | | 230/400 [Δ/Y] 50Hz 265/460 [Δ/Y] 60Hz | | |
| Motorschutz / motor protection | | 3xPTC Kaltleiter | | |
| Herstellungsjahr / production year | | siehe Seriennummer 1. vier Stellen / see serial number 1. four digits | | |