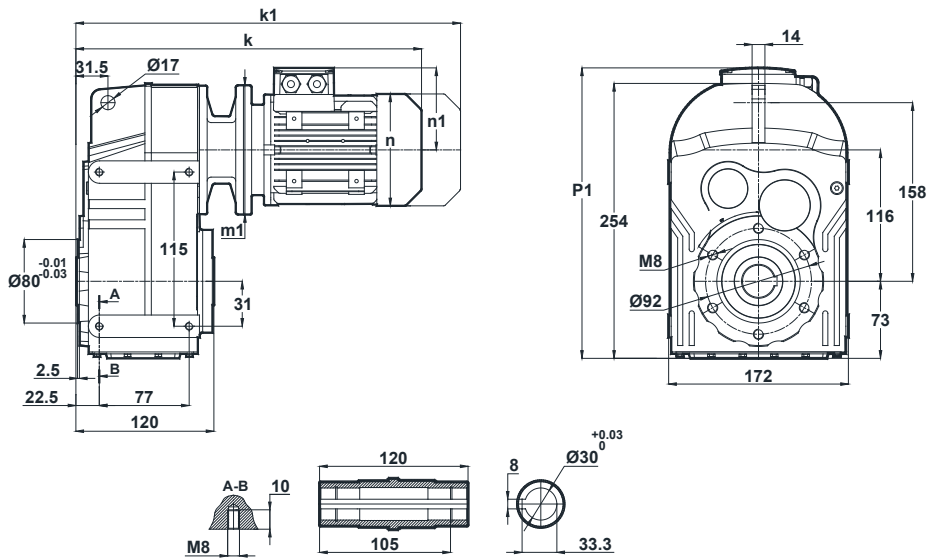


DV172 + DV173 - Flachgetriebemotor / Parallel shaft geared motor

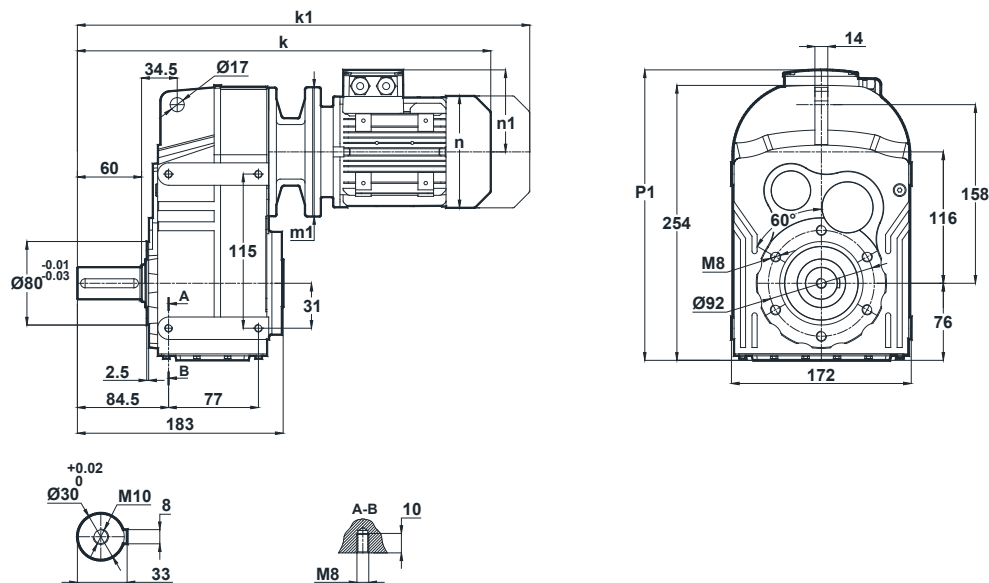
Tapped center hole according to DIN 332, sheet 2 / Zentrierung mit Gewinde nach DIN 332, Blatt 2

DV173.00



| | 63/B5 63/B14 | 71/B5 71/B14 | 80/B5 80/B14 | 90S/B5 90S/B14 | 90L/B5 90L/B14 | 100L/B5 100L/B14 |
|-----------------|-----------------|-----------------|-----------------|-------------------|-------------------|---------------------|
| k | 347 | 367 | 405 | 446 | 446 | 492 |
| k1 | 408 | 458 | 498 | 550.5 | 550.5 | 611.5 |
| n / n1 | 121 / 97 | 137 / 112 | 155 / 121 | 176 / 132 | 176 / 132 | 193 / 147 |
| m1 (B5) | 140 | 160 | 200 | 200 | 200 | 250 |
| m1 (B14) | 90 | 105 | 120 | 140 | 140 | 160 |
| p1 | 286 | 301 | 310 | 321 | 321 | 336 |

DV172.01 DV173.01



| | 63/B5 63/B14 | 71/B5 71/B14 | 80/B5 80/B14 | 90S/B5 90S/B14 | 90L/B5 90L/B14 | 100L/B5 100L/B14 |
|-----------------|-----------------|-----------------|-----------------|-------------------|-------------------|---------------------|
| k | 410 | 430 | 468 | 509 | 509 | 555 |
| k1 | 471 | 521 | 561 | 613.5 | 613.5 | 674.5 |
| n / n1 | 121 / 97 | 137 / 112 | 155 / 121 | 176 / 132 | 176 / 132 | 193 / 147 |
| m1 (B5) | 140 | 160 | 200 | 200 | 200 | 250 |
| m1 (B14) | 90 | 105 | 120 | 140 | 140 | 160 |
| p1 | 286 | 301 | 310 | 321 | 321 | 336 |

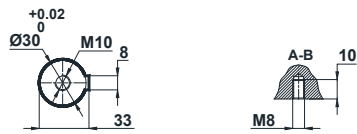
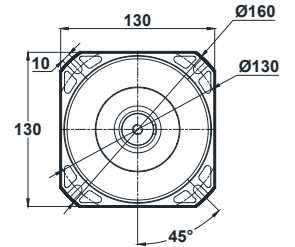
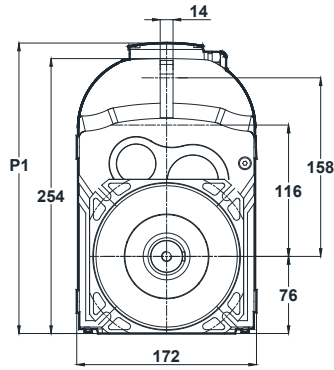
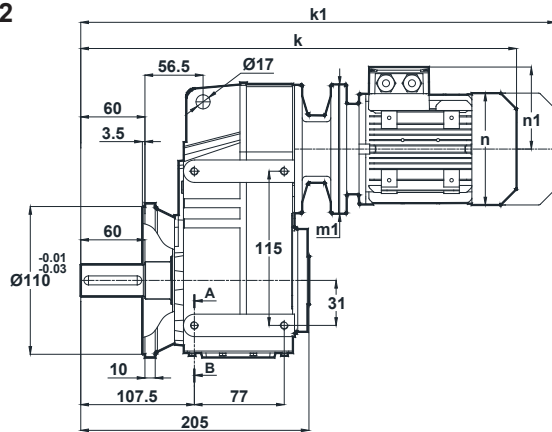
Dimensions "k1" is for motors with brake.
Maße "k1" ist für Bremsenmotoren.

DV172 + DV173 - Flachgetriebemotor / Parallel shaft geared motor

Tapped center hole according to DIN 332, sheet 2 / Zentrierung mit Gewinde nach DIN 332, Blatt 2

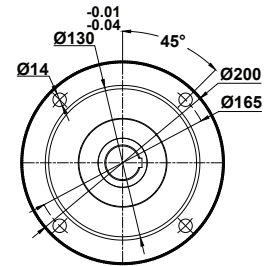
DV172.02

DV173.02



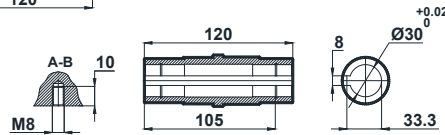
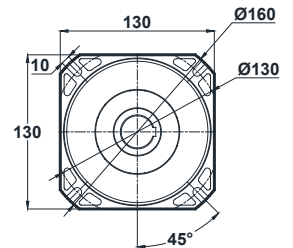
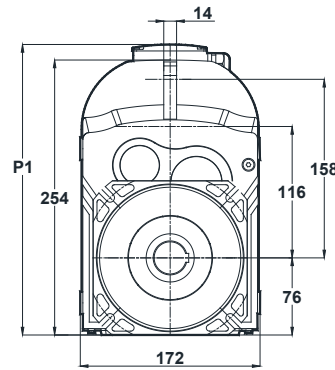
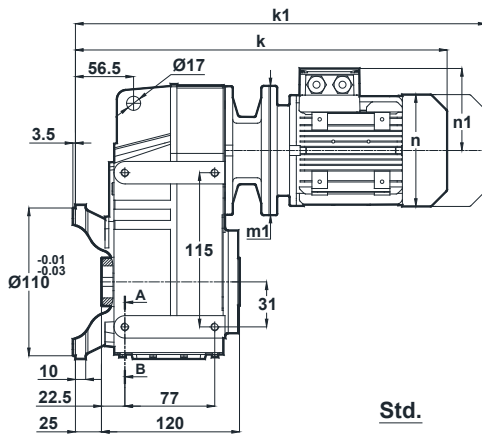
| | 63/B5 63/B14 | 71/B5 71/B14 | 80/B5 80/B14 | 90S/B5 90S/B14 | 90L/B5 90L/B14 | 100L/B5 100L/B14 |
|----------|-----------------|-----------------|-----------------|-------------------|-------------------|---------------------|
| k | 432 | 452 | 490 | 531 | 531 | 577 |
| k1 | 493 | 543 | 583 | 635.5 | 635.5 | 696.5 |
| n / n1 | 121 / 97 | 137 / 112 | 155 / 121 | 176 / 132 | 176 / 132 | 193 / 147 |
| m1 (B5) | 140 | 160 | 200 | 200 | 200 | 250 |
| m1 (B14) | 90 | 105 | 120 | 140 | 140 | 160 |
| p1 | 286 | 301 | 310 | 321 | 321 | 336 |

Optional Flange Dimensions
Auswählbare Flanschabmessungen



DV172.03

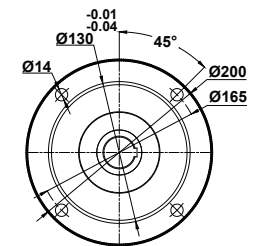
DV173.03



Std.

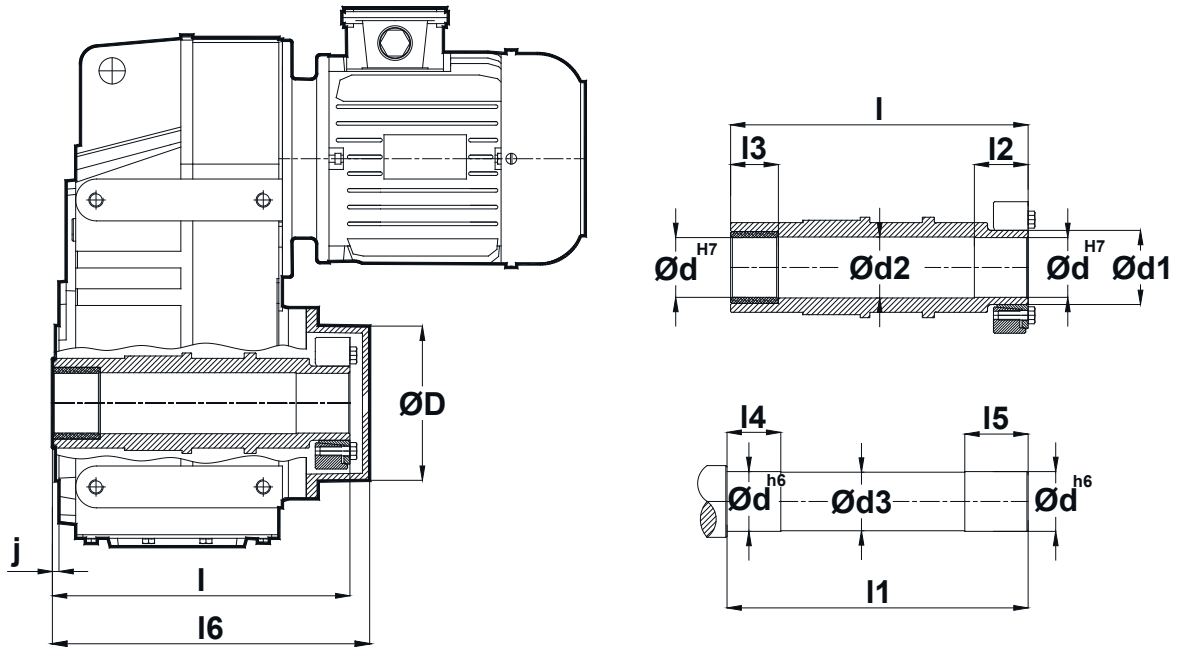
| | 63/B5 63/B14 | 71/B5 71/B14 | 80/B5 80/B14 | 90S/B5 90S/B14 | 90L/B5 90L/B14 | 100L/B5 100L/B14 |
|----------|-----------------|-----------------|-----------------|-------------------|-------------------|---------------------|
| k | 372 | 392 | 430 | 471 | 471 | 517 |
| k1 | 433 | 483 | 523 | 575.5 | 575.5 | 636.5 |
| n / n1 | 121 / 97 | 137 / 112 | 155 / 121 | 176 / 132 | 176 / 132 | 193 / 147 |
| m1 (B5) | 140 | 160 | 200 | 200 | 200 | 250 |
| m1 (B14) | 90 | 105 | 120 | 140 | 140 | 160 |
| p1 | 286 | 301 | 310 | 321 | 321 | 336 |

Optional Flange Dimensions
Auswählbare Flanschabmessungen



Dimensions "k1" is for motors with brake.
Maße "k1" ist für Bremsenmotoren.

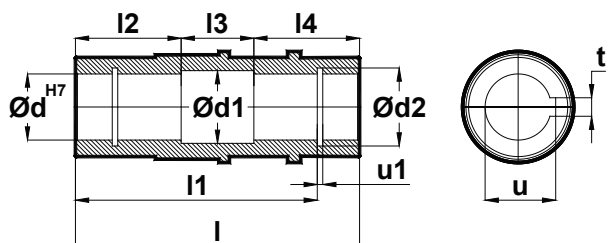
D- SERIE HOHLWELLE MIT SCHRUMPFSCHEIBE D- SERIES HOLLOW SHAFT WITH SHRINK DISC CONNECTOR



| Typi Type Typ | ØD | Ød | Ød1 | Ød2 | Ød3 | l | l1 | l2 | l3 | l4 | l5 | l6 | j | M | Z | Ta[Nm] |
|---------------------|-----|-----|-----|-----|-----|-----|-----|----|----|----|-----|-----|-----|-----|----|--------|
| D.17..0S | 85 | 30 | 38 | 31 | 29 | 146 | 149 | 30 | 20 | 25 | 38 | 162 | 4 | M8 | 5 | 30 |
| D.27.. 0S | 94 | 35 | 44 | 36 | 34 | 186 | 189 | 35 | 25 | 30 | 43 | 201 | 4.5 | M8 | 6 | 30 |
| D.28.. 0S | 104 | 40 | 50 | 41 | 39 | 197 | 200 | 35 | 30 | 35 | 43 | 213 | 5 | M8 | 8 | 30 |
| D.37.. 0S | 106 | 40 | 50 | 41 | 39 | 216 | 219 | 40 | 35 | 40 | 48 | 232 | 6 | M8 | 8 | 30 |
| D.47.. 0S | 129 | 50 | 62 | 51 | 49 | 249 | 252 | 45 | 40 | 45 | 53 | 266 | 5.5 | M8 | 9 | 30 |
| D.57.. 0S | 159 | 60 | 75 | 61 | 59 | 282 | 285 | 50 | 45 | 50 | 58 | 305 | 5.5 | M10 | 10 | 59 |
| D.67.. 0S | 164 | 70 | 80 | 71 | 69 | 345 | 348 | 55 | 50 | 55 | 63 | 366 | 6 | M10 | 10 | 59 |
| D.77.. 0S | 204 | 80 | 110 | 91 | 89 | 418 | 421 | 70 | 60 | 70 | 83 | 440 | 7.5 | M12 | 12 | 100 |
| D.87.. 0S | 252 | 110 | 130 | 111 | 109 | 492 | 495 | 80 | 70 | 80 | 93 | 519 | 9 | M14 | 9 | 160 |
| D.97.. 0S | 288 | 120 | 155 | 121 | 119 | 570 | 573 | 90 | 80 | 90 | 103 | 593 | 10 | M14 | 10 | 160 |

M: Bolt dimension / Muttergröße
 Z: Bolt Quantity / Anzahl von Muttern
 Ta: Tightening Torque / Schrumpfmoment

Hohlwellenabmessungen von D- Serie Getrieben Hollow Shaft Dimensions for D- Series Gearboxes



| Tip Type Typ | d | d1 | d2 | l | l1 | l2 | l3 | l4 | u1 | t | u |
|--------------------|-----|-----|------|-----|-----|-----|-----|-----|------|----|-------|
| D.17.. | 30 | 31 | 31.4 | 120 | 105 | 45 | 30 | 45 | 1.3 | 8 | 33.3 |
| D.27.. | 35 | 36 | 37 | 157 | 132 | 60 | 37 | 60 | 1.6 | 10 | 38.3 |
| D.28.. | 40 | 41 | 42.5 | 166 | 142 | 64 | 38 | 64 | 1.85 | 12 | 43.3 |
| D.37.. | 40 | 41 | 42.5 | 185 | 156 | 70 | 45 | 70 | 1.85 | 12 | 43.3 |
| D.47.. | 50 | 51 | 53 | 215 | 183 | 82 | 51 | 82 | 2.15 | 14 | 53.8 |
| D.57.. | 60 | 61 | 63 | 246 | 210 | 96 | 54 | 96 | 2.15 | 18 | 64.4 |
| D.67.. | 70 | 71 | 73 | 308 | 270 | 110 | 88 | 110 | 2.65 | 20 | 74.9 |
| D.77.. | 90 | 91 | 93.5 | 363 | 313 | 135 | 93 | 135 | 3.15 | 25 | 95.4 |
| D.87.. | 110 | 111 | 114 | 428 | 373 | 160 | 108 | 160 | 4.15 | 28 | 116.4 |
| D.97.. | 120 | 121 | 124 | 500 | 460 | 180 | 140 | 180 | 4.15 | 32 | 127.4 |

Drehmomentstütze- Montagezeichnungen Torque Arm- Mounting details

